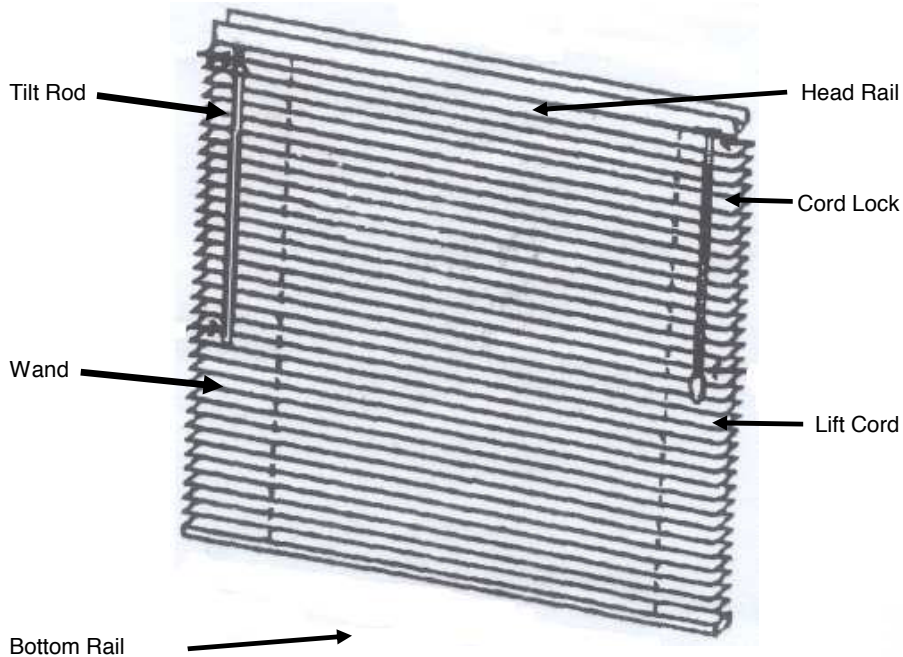
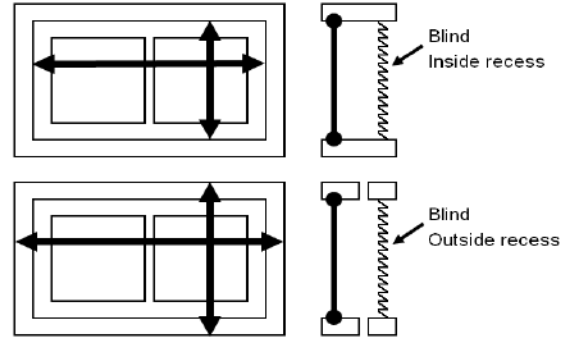


SPIDER BRACKET

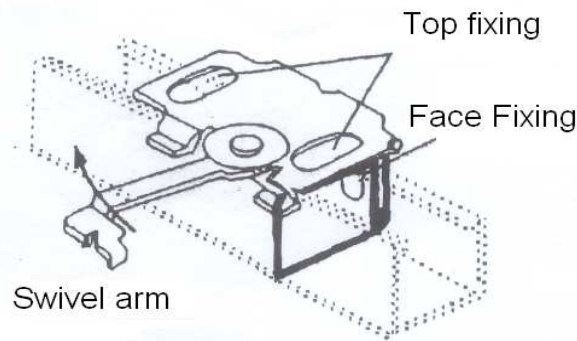


ACCESSORIES ENCLOSED

- (1) 2-4 pieces of spider bracket
- (2) 1 piece of wand tilter
- (3) 8-12 screws for bracket
- (4) 2 pieces hold down bracket



1. Measure where you require the blind to hang. The blind may be fitted inside or outside the recess.
2. Position the end brackets for fixing (either face or top) ensuring that the brackets are fixed approximately 5 cms from the end of the blind. The centre bracket (required for blinds exceeding 100 cms width) may be positioned as required. NB: Make sure not to position the brackets where they would interfere with the working mechanisms of the blind



Spider Bracket

3. Now present the blind to the bracket, ensuring that the lugs position snugly under the front rim of the head rail; then push the locking arm until it is pressed against the head rail.

4. Insert bottom rail into the pin of the hold down bracket. (Using the bottom hold down bracket is optional.)

TO OPERATE THE BLIND

Lowering:

Hold cord at eye level and move to the left, pulling down gently until cord lock releases. Allow cord to slip through fingers until blind reaches desired level. Move the lift cord to the right and release, blind will lock automatically.

Raising:

Pull cord downward until blind reaches desired height, release cord, the blind will lock automatically.

Tilting:

Rotate 'wand' of blind to attain desired slat position.

Important:

Always tilt blind horizontally before raising or lowering the blind, this increases the life of blind.



WARNING - ALL WINDOW COVERINGS WITH CORD OR CHAIN

To avoid creating a possible strangulation hazard for children, the corded or chained internal window covering must be installed in such a way that a loose cord or chain cannot form a loop 220mm or longer at a height of less than 1600mm above floor level.

* A cord/chain guide may be installed lower than 1600mm above floor level if the cord/chain is sufficiently secured or tensioned to prevent a loop 220mm or longer from being formed.

* If a cord/chain guide is installed lower than 1600mm above floor level, it must be designed to prevent a child from being able to remove the cord/chain.

* If a cleat is used to secure the cord, it must be at least 1600mm above floor level because a child is capable of unwinding a cord from a cleat.